

RIDGE

EG7000 - FIELD FAB PEAK BOX

EG7330 - RIDGE CAP WITH METAL PEAK BOX INSTALLATION

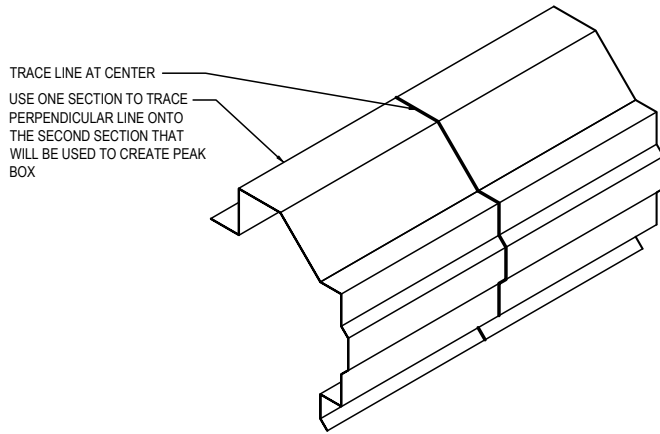
EG7331 - PARAPET AT RIDGE (VERTICAL RIB)

EG7630 - RIDGE CAP WITH METAL PEAK BOX INSTALLATION

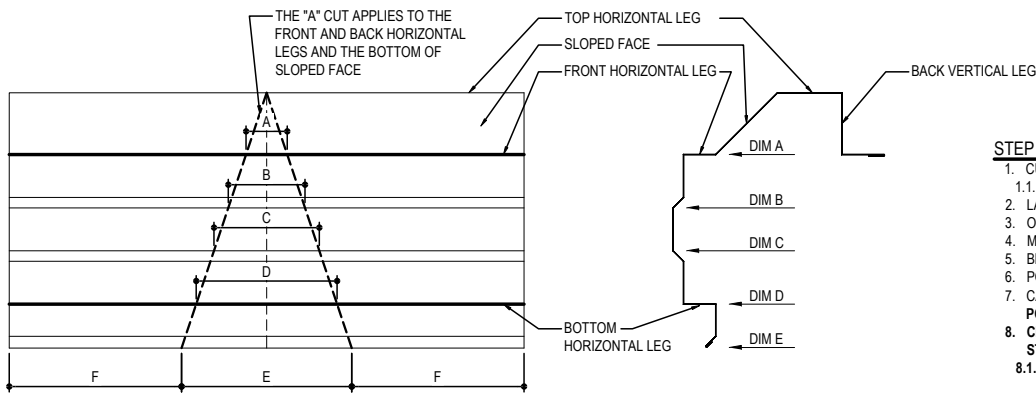
EG7631 - PARAPET AT RIDGE (TRAPEZOIDAL RIB)

EG7000 - FIELD FAB PEAK BOX

[Download the DWG file by clicking here.](#)

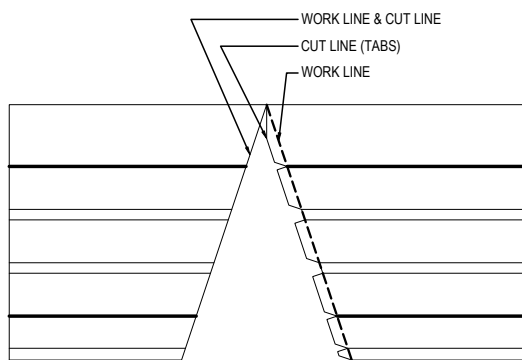


ROOF SLOPE	LAYOUT DIMENSION (INCHES)					
	A	B	C	D	E	F
0.25:12	1/8	1/4	5/16	7/16	1/2	11 3/4
0.50:12	1/4	7/16	5/8	13/16	1	11 1/2
1:12	1/2	7/8	1 1/4	1 5/8	2	11
2:12	15/16	1 13/16	2 7/16	3 5/16	3 15/16	10
3:12	1 7/16	2 11/16	3 11/16	4 15/16	6	9
4:12	1 7/8	3 5/8	4 7/8	6 5/8	7 7/8	8 1/16
5:12	2 3/8	4 1/2	6 1/8	8 1/4	9 7/8	7 1/16
6:12	2 7/8	5 3/8	7 3/8	9 7/8	11 7/8	6 1/16
7:12	3 3/8	6 1/4	8 5/8	11 1/2	13 7/8	5 1/16
8:12	3 7/8	7 1/8	9 7/8	13 1/8	15 7/8	4 1/16
9:12	4 5/16	8 1/16	11 1/8	14 7/8	17 7/8	3 1/8
10:12	4 3/4	9	12 1/4	16 1/2	19 3/4	2 1/8
11:12	5 1/4	9 7/8	13 1/2	18 1/8	21 3/4	7 1/8
12:12	5 3/4	10 3/4	14 3/4	19 3/4	23 3/4	6 1/8

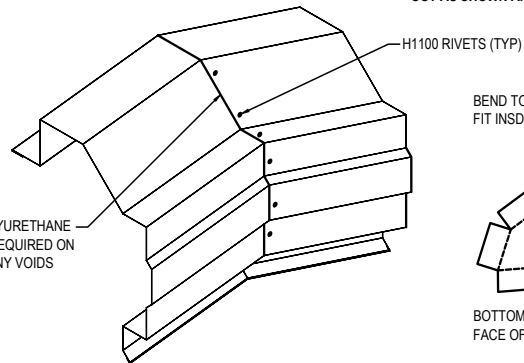


STEP BY STEP INSTRUCTIONS

- CUT THE TRIM INTO (2) 2'-0" ± LENGTHS
 - (2) 3'-0" ± LENGTHS AT 11:12 SLOPE AND GREATER
- LAYOUT THE WORK LINES AS SHOWN
- OFFSET ONE OF THE WORK LINES FOR TABS LAYOUT
- MAKE CUTS AS SHOWN
- BEND AT THE TOP HORIZONTAL LEG OF THE TRIM
- POP RIVET THE TWO SIDES TOGETHER WITH H1100 RIVETS
- CAULK ANY GAPS AS REQUIRED ON INSIDE WITH H3152 POLYURETHANE TUBE CAULK
- CREATE FIELD FAB PEAK PLATE FROM SUPPLIED FS6- FLAT STOCK. (NOT REQUIRED W/ LOC SEAM PANEL)
 - PLACE RIDGE CAP TEMPORARILY ON PEAK BOX AND TRACE PATTERN TO TRANSFER TO FLAT STOCK. CUT OUT AS SHOWN AND BEND TABS.



APPLY H3152 POLYURETHANE TUBE CAULK AS REQUIRED ON INSIDE TO SEAL ANY VOIDS



BEND TOP FOUR TABS TO FIT INSIDE RIDGE CAP

BOTTOM TABS FIT AGAINST FACE OF PEAK BOX

PEAK PLATE LAYOUT

FIELD FABRICATED PEAK BOX INSTRUCTIONS

REFERENCE PEAK BOX DETAIL FOR INSTALLATION

EG7000

Detailer Notes:

- THIS DETAIL IS USED WHEN FIELD FAB PEAK BOXES ARE REQUESTED. THE PEAK BOX INSTALLATION DETAIL IS ALSO REQUIRED.

EG7330 - RIDGE CAP WITH METAL PEAK BOX INSTALLATION

[Download the DWG file by clicking here.](#)

METAL PEAK BOX PREPARATION

**PEAK BOX PREPARATION
STEP 1**

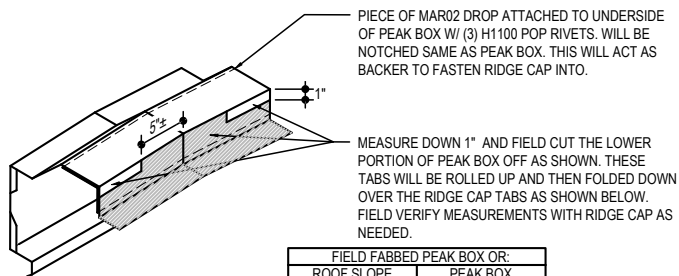
PRIOR TO INSTALLING THE FIRST OR LAST PIECE OF RIDGE CAP, THE PEAK BOX AND PEAK PLATE NEED TO BE PREPPED AND DRY-FIT TO ENSURE PROPER FIT UP.

PEAK BOX PREPARATION

NEXT APPLY A BEAD OF **POLYURETHANE TUBE CAULK (H3152)** ON THE UNDERSIDE OF THE PEAK BOX WHERE ANY GAPS MAY BE PRESENT.

FIELD NOTCH THE BACK OF THE PEAK BOX TO MATCH THE PROFILE OF THE RIDGE CAP.

ATTACH A 10" PIECE OF **FEB120** (CUT FROM 10" PIECE) TO UNDERSIDE OF PEAK BOX WITH (3) **H1100** POP RIVETS. THIS WILL BE BACKER FOR ATTACHMENT OF THE RIDGE CAP LATER.



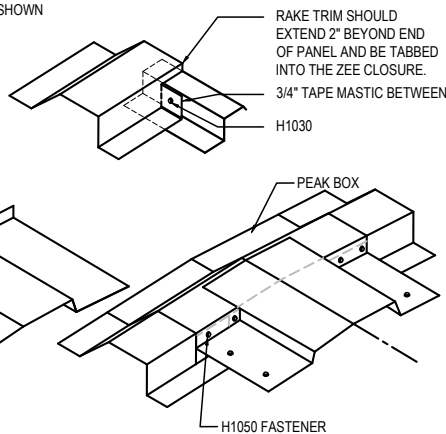
FIELD FABBED PEAK BOX OR:	
ROOF SLOPE	PEAK BOX
0.5:12	MPAN50
1:12	MPAN01
2:12	MPAN02
3:12	MPAN03
4:12	MPAN04
5:12	MPAN05
6:12	MPAN06

**RIDGE CAP & RAKE TRIM PREPARATION
STEP 2**

TERMINATE RAKE TRIM INTO THE ZEE CLOSURE AS SHOWN BELOW.

CREATE TABS AS SHOWN BELOW. THESE TABS WILL SEAL TO THE BACKSIDE OF THE RAKE TRIMS.

ROLL THE PEAK BOX OVER THE RAKE TRIM AND BEND THE TABS UP TO ALLOW RIDGE CAP TABS AS SHOWN BELOW TO SLIP UNDER THE PEAK BOX TABS.



RIDGE CAP WITH METAL PEAK BOX INSTALLATION

DETAIL SHOWN WITH ROOF AND WALL PANEL.

**METAL PEAK BOX & RIDGE CAP INSTALLATION AT STANDARD RAKE TRIM
STEP 3**

PLACE A BEAD OF **POLYURETHANE TUBE CAULK (H3152)** ON BACK OF TABS "B" WHERE IT WILL CONTACT THE RAKE TRIM.

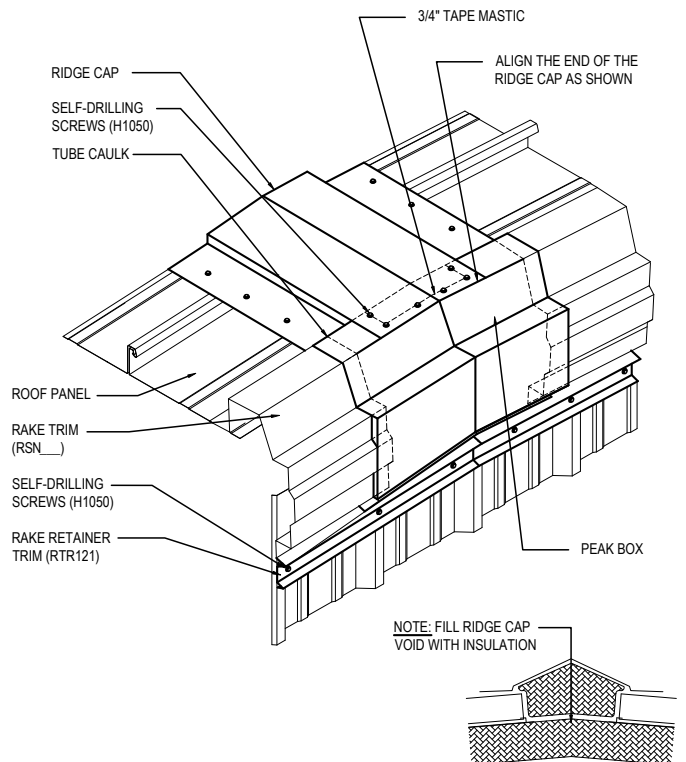
CENTER THE RIDGE CAP OVER THE CLOSURES AND TIGHTLY AGAINST THE BACK OF THE RAKE TRIM.

NEXT, MAKE SURE THE TABS OF THE PEAK BOX ARE FOLDED HORIZONTAL WITH THE TOP FACE OF PEAK BOX..

APPLY A CONTINUOUS BEAD OF **POLYURETHANE TUBE CAULK (H3152)** ON THE UNDERSIDE OF THE PEAK BOX WHERE IT WILL COME INTO CONTACT WITH THE RAKE TRIMS.

PLACE A BEAD OF **POLYURETHANE TUBE CAULK (H3152)** BETWEEN TAB "A" AND TAB "B" ON THE RIDGE CAP. ALSO APPLY **POLYURETHANE TUBE CAULK (H3152)** ON TABS "B" WHERE PEAK BOX WILL FIT.

CENTER THE PREPARED PEAK BOX AT THE RIDGE OVER THE RAKE TRIM WHILE SLIDING UNDER THE UPPER PORTION OF THE RIDGE CAP. THE TABS OF PEAK BOX SHOULD EXTEND OVER THE TABS OF THE RIDGE CAP AND BE FOLDED BACK DOWN TO FASTEN THROUGH THE TABS AND INTO THE TABS OF THE RIDGE CAP WITH TRIM COLORED SELF-DRILLING SCREWS (**H1050**). ENSURE THAT ALL PLYS OF METAL ARE SEALED WITH **POLYURETHANE TUBE CAULK (H3152)** TO ENSURE WEATHER TIGHT SEAL.



EG7330

Detailer Notes:

1) N/A

EG7331 PARAPET AT RIDGE (VERTICAL RIB)

[Download the DWG file by clicking here.](#)

PARAPET PEAK TRANSITION
PREPERATION AND ASSEMBLING RIDGE CAP
STEP 1

START BY RUNNING THE **RAKE PARAPET ANGLE (MAP01)** TO THE CENTERLINE OF RIDGE. (LOW SLOPE)

ON HIGHER SLOPE BUILDINGS, RUN PARAPET ANGLE PAST RIDGE AND COPE BOTTOM LEG SO THAT THERE IS NOT A LARGE GAP ON THE BACK OF THE RAKE ANGLE.

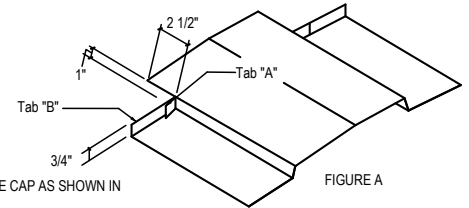
EXTEND THE **RAKE PARAPET TRIM (RPU121)** 2' PAST THE END OF THE ROOF PANEL.

START THE RIDGE CAP A MAXIMUM OF 1/2" FROM THE EDGE OF THE RAKE PARAPET TRIM AS SHOWN IN THE DETAIL BELOW. FIELD NOTCHING THE FIRST PIECE OF RIDGE CAP AS SHOWN IN FIGURE. A. BEND ALL TABS 90°.

BEFORE SETTING THE RIDGE CAP, PLACE A PIECE OF 1/2" **TAPE MASTIC (H3000)** BETWEEN TAB "B" AND THE RAKE TRIM. RIDGE CAP MUST BE PROPERLY POSITIONED BEFORE TOUCHING THE MASTIC AND TUBE CAULK. MASTIC CANNOT BE REUSED.

CENTER THE RIDGE CAP OVER THE RIDGE CLOSURE ZEES AND FASTEN WITH (3) RIDGE CAP COLORED SELF-DRILLING SCREWS (H1030) PER PANEL WIDTH. (2" FROM EACH RIB AND 6" O/C IN BETWEEN).

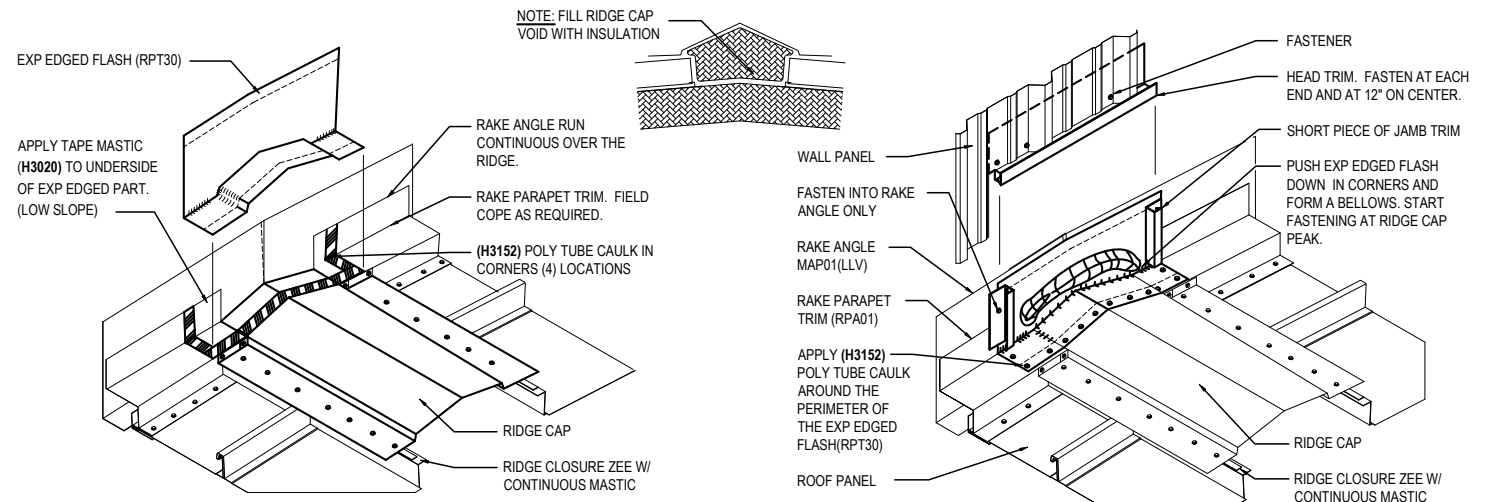
CAULK BETWEEN TAB "A" AND "B" WITH **POLYURETHANE TUBE CAULK (H3152)** AND FASTEN TAB "A" THROUGH TAB "B" AND INTO THE RAKE PARAPET TRIM WITH (1) (H1050) **SELF-DRILLING SCREW**.


CLOSING OFF THE PARAPET AND RIDGE CAP
STEP 2

TO INSTALL THE **EXPANDABLE EDGED FLASH (RPT30)** APPLY 2 1/2" **TAPE MASTIC (H3020)** TO RAKE PARAPET TRIM AS SHOWN.

NEXT APPLY GENEROUS BEAD OF **POLYURETHANE TUBE CAULK (H3152)** TO THE CORNERS RAKE PARAPET TRIM. FORM THE EXPANDABLE EDGED FLASH PIECE TO SHAPE OF THE PARAPET TRIM & RIDGE CAP, CENTER THE OVER THE RIDGE CAP. NEXT, PUSH EXPANDABLE EDGED FLASH TIGHT INTO CORNERS AND FORM A BELLOWS IN THE CENTER OF THE FLASH AS SHOWN. FASTEN WITH (12) TRIM-COLORED **SELF-DRILLING SCREWS (H1050)**. DO NOT FASTEN INTO THE PARAPET TRIM.

NEXT, TAKE SHORT PIECES OF JAMB TRIM AND PLACE ON EACH SIDE OF THE EXPANDABLE EDGED FLASH. FASTEN INTO THE RAKE ANGLE WITH ONE TRIM-COLORED **SELF-DRILLING SCREW (H1050)** AS SHOWN. TAKE A PIECE OF HEAD TRIM AND FIELD TAB INTO JAMB TRIM. FASTEN WITH TRIM-COLORED **SELF-DRILLING SCREWS (H1050)**. CAULK THE PERIMETER OF THE **EXPANDABLE EDGED FLASH (RPT30)** WITH **POLYURETHANE TUBE CAULK (H3152)**.


NOTES:

ON HIGHER SLOPE BUILDINGS, TAPER MASTIC BACK FROM HIGH POINT OF RIDGE CAP AS SHOWN. TAPER EXPANDABLE EDGED FLASH OVER TOP OF TAPE MASTIC AS WELL. FASTENERS INTO MASONRY AND COUNTER FLASH BY OTHERS. FIELD WORK RAKE PARAPET TRIMS TO ENSURE WEATHER TIGHTNESS AS REQUIRED ON ALL BUILDINGS.

PEAK TRANSITION TO PARAPET TRIM AT RIDGE

TRANSITION AT PEAK TO WALL PANEL ABOVE. MASONRY AND INSULATED PANEL SIM. SEE ADDITIONAL DETAILS FOR TRIM REQUIREMENTS.

WALL PANEL TYPE	JAMB TRIM	HEAD TRIM
R-PANEL	JTA087	HTA044
A-PANEL	JTA087	HTA044
REV R-PANEL	JTD087	HTA044
IMP	JHI_	JHI_

EG7331
Detailer Notes:

1) N/A

EG7630 - RIDGE CAP WITH METAL PEAK BOX INSTALLATION

[Download the DWG file by clicking here.](#)

METAL PEAK BOX AND PEAK PLATE PREPARATION

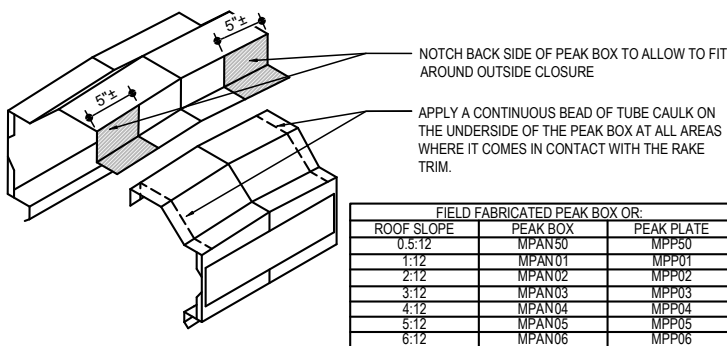
**PEAK BOX PREPARATION
STEP 1**

ERECTOR NOTE:

PRIOR TO INSTALLING THE FIRST OR LAST PIECE OF RIDGE CAP, THE PEAK BOX AND PEAK PLATE NEED TO BE INSTALLED.

PEAK BOX

START BY FIELD CUTTING THE BACK LEG OF THE PEAK BOX OFF AS SHOWN BELOW. NEXT APPLY A CONTINUOUS BEAD OF POLYURETHANE TUBE CAULK (H3152) ON THE UNDERSIDE OF THE PEAK BOX WHERE IT COMES IN CONTACT WITH THE RAKE TRIMS. APPLY POLYURETHANE TUBE CAULK (H3152) TO ANY GAPS ON THE UNDERSIDE OF THE PEAK BOX IN THE MITERED AREA.

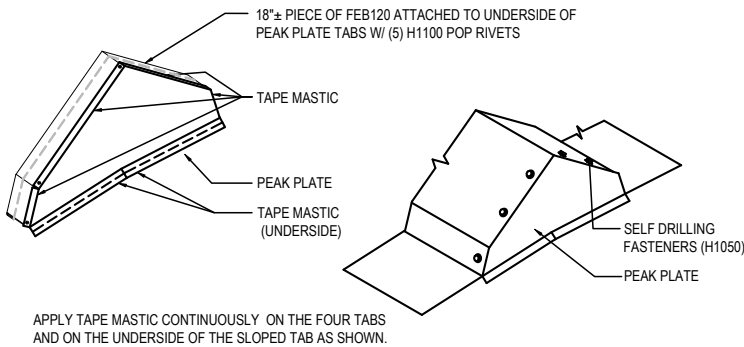


FIELD FABRICATED PEAK BOX OR:

ROOF SLOPE	PEAK BOX	PEAK PLATE
0.5:12	MPAN00	MPP00
1:12	MPAN01	MPP01
2:12	MPAN02	MPP02
3:12	MPAN03	MPP03
4:12	MPAN04	MPP04
5:12	MPAN05	MPP05
6:12	MPAN06	MPP06

**PEAK PLATE WITH RIDGE CAP PREPARATION
STEP 2**

START BY ATTACHING A PIECE OF FEB120 TO THE PEAK PLATE WITH POP RIVETS AS A BACKER FOR RIDGE CAP ATTACHMENT. APPLY A CONTINUOUS STRIP OF 1 1/2" TAPE MASTIC (H3001) TO THE TOP OF THE FOUR TABS AND THE UNDERSIDE OF THE SLOPED TAB AS SHOWN. NEXT PLACE THE PEAK PLATE INSIDE OF THE RIDGE CAP AND FASTEN WITH (6) TRIM COLORED (H1050) FASTENERS.



**METAL PEAK BOX & PEAK PLATE INSTALLATION AT STANDARD RAKE TRIM
STEP 3**

CENTER THE PREPARED PEAK BOX OVER THE RIDGE. ONCE CENTERED, PUSH THE PEAK BOX DOWN AND OVER THE RAKE TRIMS. MAKE SURE THE BACK LIP OF THE PEAK BOX IS BETWEEN THE OUTSIDE PANEL CLOSURE AND THE RAKE TRIM. TO ACHIEVE THIS YOU MAY NEED TO BACK OUT THE FASTENER ON THE OUTSIDE PANEL CLOSURE TAB AND THEN RE-INSTALL. FINISH INSTALLING THE RAKE RETAINER TRIM OVER THE PEAK BOX.

INSTALL CONTINUOUS 1 1/2" TAPE MASTIC (H3001) ALONG THE TOP OF THE OUTSIDE PANEL CLOSURE ON BOTH SIDES OF THE RIDGE. REMOVE THE PAPER BACKING ONLY AS WORK PROGRESSES.

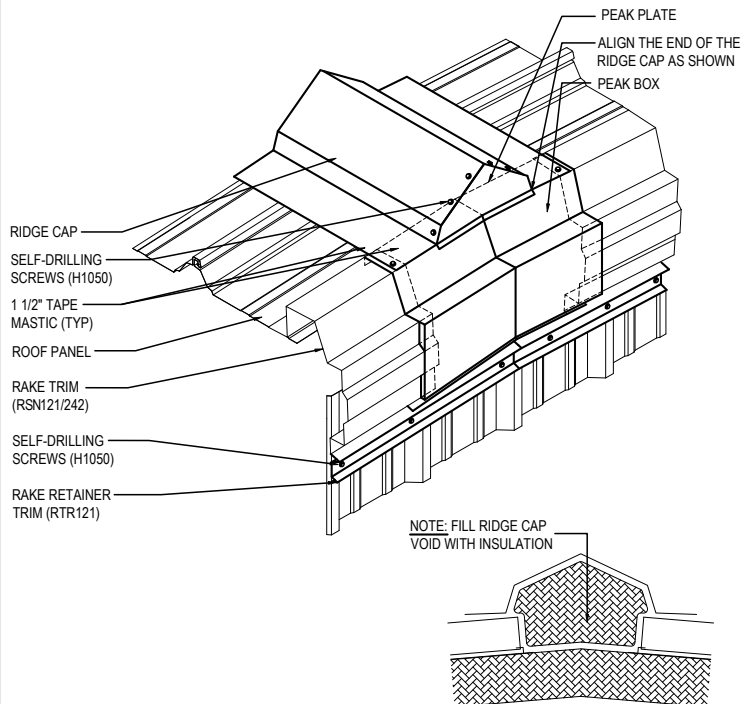
AFTER THE PEAK BOX IS IN PLACE, EXTEND THE 1 1/2" TAPE MASTIC (H3001) FROM THE OUTSIDE PANEL CLOSURE TO THE SLOPED FACE TO THE PEAK BOX. NEXT, INSTALL SHORT PIECES OF 1 1/2" TAPE MASTIC (H3001) TO THE FLAT PORTION OF THE RIDGE CAP (AS SHOWN).

CENTER THE PREPARED SECTION OF RIDGE CAP OVER THE OUTSIDE PANEL CLOSURE AND FASTEN WITH (5) RIDGE CAP COLORED SELF-DRILLING SCREWS (H1050) PER PANEL WIDTH. (2' FROM EACH RIB AND 5" O/C IN BETWEEN). **BE SURE THAT THE EDGE OF THE RIDGE CAP IS FLUSH WITH THE SLOPED FACE.**

START THE RIDGE CAP FLUSH WITH THE SLOPED EDGE OF THE RAKE TRIM AS SHOWN IN THE DETAIL BELOW.

RIDGE CAP MUST BE PROPERLY POSITIONED BEFORE TOUCHING THE MASTIC. **MASTIC CANNOT BE REUSED.**

FASTEN THE RIDGE CAP TO THE RAKE TRIM USING SELF-DRILLING H1050 SCREWS. **DO NOT PLACE ANY FASTENERS IN THE PEAK BOX.** DOING SO WILL NOT ALLOW THE RAKE TRIM TO "FLOAT" WITH THE EXPANSION AND CONTRACTION OF THE ROOF SYSTEM



RIDGE CAP WITH METAL PEAK BOX INSTALLATION

DETAIL SHOWN WITH ROOF AND WALL PANEL.

EG7630

Detailer Notes:

1) N/A

EG7631 PARAPET AT RIDGE (TRAPEZOIDAL RIB)

[Download the DWG file by clicking here.](#)

PARAPET PEAK TRANSITION

PREPERATION AND ASSEMBLING RIDGE CAP STEP 1

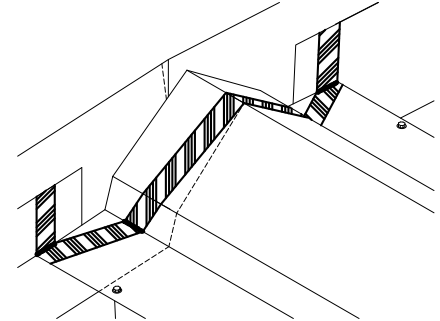
START BY RUNNING THE **RAKE PARAPET ANGLE (MAP01)** TO THE CENTERLINE OF RIDGE. (LOW SLOPE)

ON HIGHER SLOPE BUILDINGS, RUN PARAPET ANGLE PAST RIDGE AND COPE BOTTOM LEG SO THAT THERE IS NOT A LARGE GAP ON THE BACK OF THE RAKE ANGLE.

EXTEND THE **RAKE PARAPET TRIM (RPU121)** FLUSH WITH THE END OF THE ROOF PANEL.

START THE RIDGE CAP **FLUSH** WITH THE FACE OF THE RAKE TRIM AS SHOWN IN THE DETAIL BELOW. CENTER THE RIDGE CAP OVER THE OUTSIDE PANEL CLOSURE AND FASTEN WITH (5) RIDGE CAP COLORED SELF-DRILLING SCREWS (H1050) PER PANEL WIDTH. (2" FROM EACH RIB AND 5" O/C IN BETWEEN).

RIDGE CAP MUST BE PROPERLY POSITIONED BEFORE TOUCHING THE MASTIC. **MASTIC CANNOT BE REUSED.**

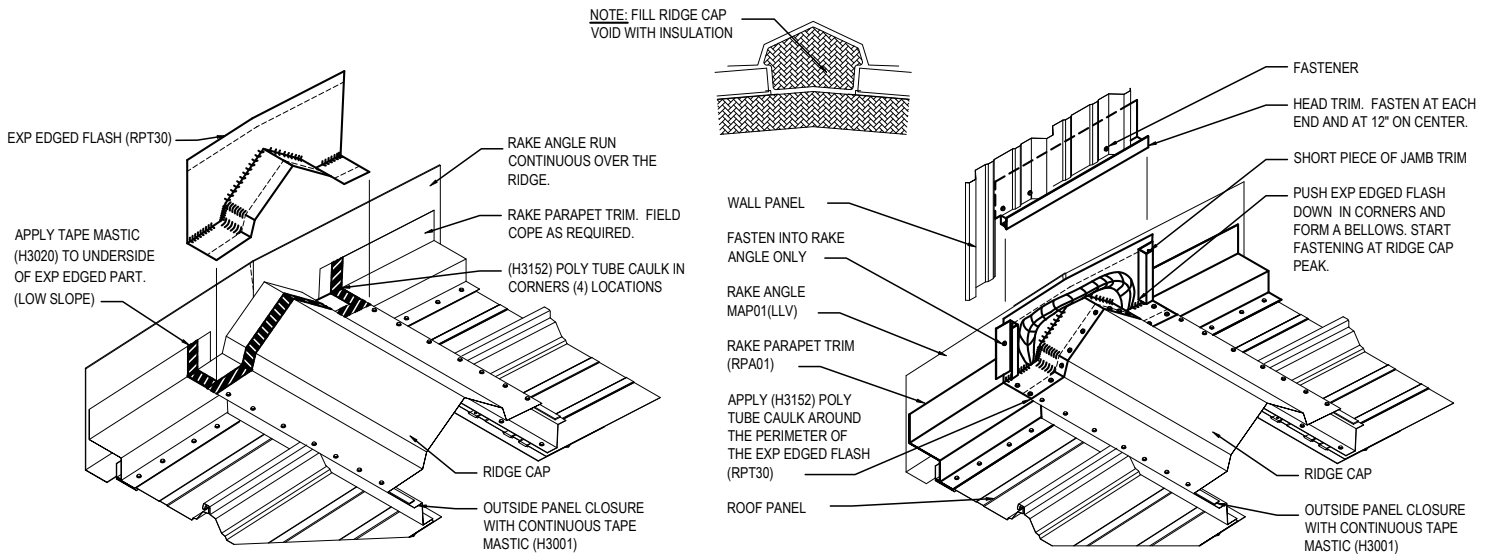


HIGH SLOPE MASTIC DETAIL TAPER MASTIC BACK TO CORNER OF THE PARAPET TRIM AS SHOWN

CLOSING OFF THE PARAPET AND RIDGE CAP STEP 2

TO INSTALL THE **EXPANDABLE EDGED FLASH (RPT30)** APPLY 2 1/4" **TAPE MASTIC (H3020)** TO RAKE PARAPET TRIM AS SHOWN. NEXT, APPLY GENEROUS BEAD OF **POLYURETHANE TUBE CAULK (H3152)** TO THE CORNERS RAKE PARAPET TRIM. FORM THE FLEXIBLE MEMBRANE PIECE TO SHAPE OF THE PARAPET TRIM & RIDGE CAP. NEXT, PUSH EXPANDABLE EDGED FLASH TIGHT INTO CORNERS AND FORM A BELLOWS IN THE CENTER OF THE FLASH AS SHOWN. FASTEN WITH (14) TRIM-COLORED **SELF-DRILLINGSCREWS (H1050)**. **DO NOT FASTEN INTO THE PARAPET TRIM.**

NEXT, TAKE SHORT PIECES OF JAMB TRIM AND PLACE ON EACH SIDE OF THE EXPANDABLE EDGED FLASH. FASTEN INTO THE RAKE ANGLE WITH ONE TRIM-COLORED **SELF-DRILLING SCREW (H1050)** AS SHOWN. TAKE A PIECE OF HEAD TRIM AND FIELD TAB INTO JAMB TRIM. FASTEN WITH TRIM-COLORED **SELF-DRILLING SCREWS (H1050)**. CAULK THE PERIMETER OF THE **EXPANDABLE EDGED FLASH (RPT30)** WITH **POLYURETHANE TUBE CAULK (H3152)**.



NOTES:

ON HIGHER SLOPE BUILDINGS, TAPER MASTIC BACK FROM HIGH POINT OF RIDGE CAP AS SHOWN. TAPER EXPANDABLE EDGED FLASH OVER TOP OF TAPE MASTIC AS WELL. FASTENERS INTO MASONRY AND COUNTER FLASH BY OTHERS. FIELD WORK RAKE PARAPET TRIMS TO ENSURE WEATHER TIGHTNESS AS REQUIRED ON ALL BUILDINGS.

PEAK TRANSITION TO PARAPET TRIM AT RIDGE

TRANSITION AT PEAK TO WALL PANEL ABOVE. MASONRY AND INSULATED PANEL SIM. SEE ADDITIONAL DETAILS FOR TRIM REQUIREMENTS.

WALL PANEL TYPE	JAMB TRIM	HEAD TRIM
R-PANEL	JTA087	HTA044
A-PANEL	JTA087	HTA044
REV R-PANEL	JTD087	HTA044
IMP	JHI_	JHI_

EG7631

Detailer Notes:

1) N/A